

5-way ball valves *5-Wege Kugelventile*

KH2

- **Individually adjustable seals**
Einzel nachstellbare Dichtungen
- **High wear resistance**
Hohe Verschleißfestigkeit
- **Retrofittable with electric drive****
*Nachrüstbar mit Elektroantrieb***
- **On request: special connections**
Auf Wunsch: Sonderanschlüsse

** Not for the KH215bar Ball valve
Nicht beim KH215bar Kugelventil

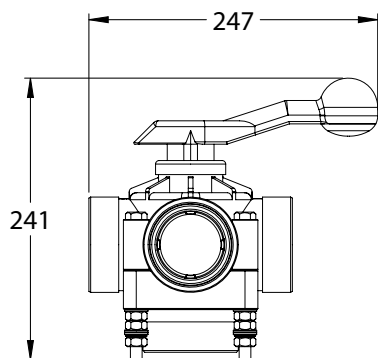


Suction side *Saugseite ist*
is down. *unten.*

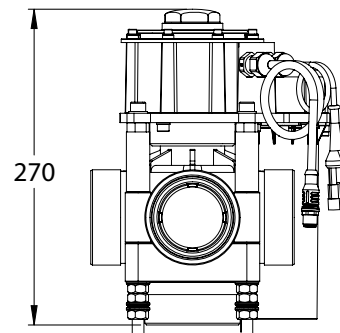


Dimensions *Abmessungen*

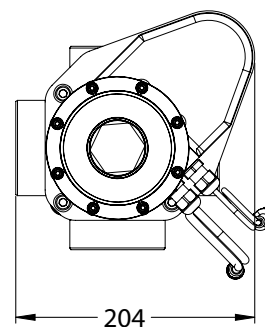
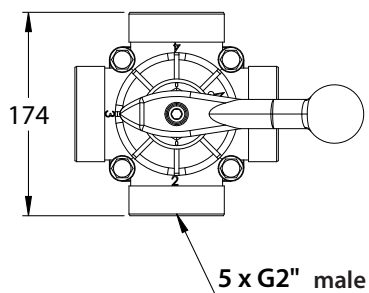
manual



electric / SMART



Specifications in mm
Angaben in mm



5-way ball valves 5-Wege Kugelventile

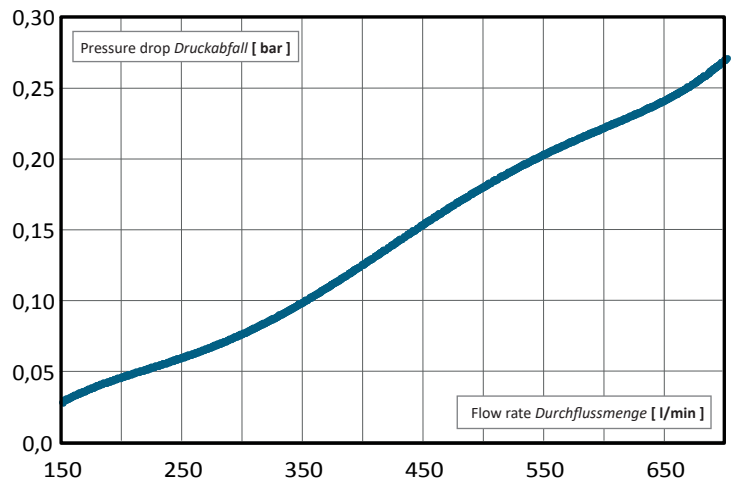
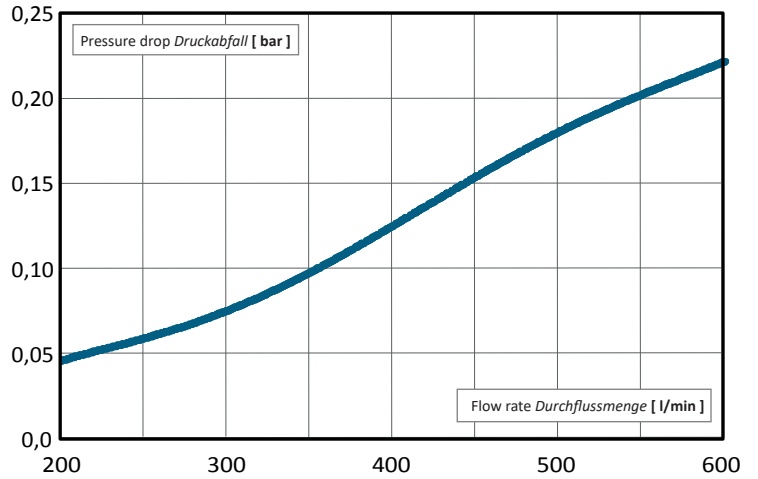
KH2

Selection Auswahl

Article no. Artikel-Nr.	Drive Antrieb
KH2	
82757 *	manual
47948	electric
83450	SMART
KH2 15bar	
83091 *	manual
82705 *	electric
83451	SMART

* including cap

* inkl. Überwurfmutter



Operating pressure Betriebs-Dauerdruck	Flow rate Durchfluss	Inlet Einlass	Outlets Auslass	Material Material		
				Ball Schaltkugel	Housing Gehäuse	Sealing Dichtung
max. 3 bar	max. 600 l/min	2" Port	4 x 2" Port	POM + PTFE	POM GF	PA, FPM, NBR
max. 15 bar	max. 700 l/min	2" Port	4 x 2" Port	POM + PTFE	Aluminium	PA, FPM, NBR

5-way ball valves *5-Wege Kugelventile*

KH2

Fittings

KH2 15bar



Fittings AS-System									
Article no. <i>Artikel-Nr.</i>	AS	d1 mm	d2 mm	D mm	L mm		Pressure bar	O-ring Article no.	Cap Article no.
83405	AS40	29,0	69,5	50,0	70,0	—	15	47715 37628 05243	47733 47587
83697	AS50	35,0	69,5	50,0	70,0	—	15	47715 41214 18544	47733 47587



Fittings with female thread without cap <i>mit Innengewinde ohne Überwurfmutter</i>									
Article no.	G1	G2	d		L				
47981	2 3/4"	2 1/2"	66,0	—	60,0	—	10	47982	—
80382	2 3/4"	2 1/2"	67,0	—	100,0	—	10	47982	—



Fittings with male thread <i>mit Außengewinde</i>									
Article no.	G		d	D	L	l			
47735	2"	—	51,0	69,5	47,5	29,5	10	47715	47733
47736	2"	—	51,0	69,5	75,0	24,0	10	47715	47733
47863	1 1/2"	—	37,5	69,5	34,5	24,0	10	47715	47733
81445	1 1/4"	—	32,0	69,5	34,5	24,5	10	47715	47733



Fittings with female thread and cap <i>mit Innengewinde und Überwurfmutter</i>									
Article no.	G		d	D	L	l			
47737	2"	—	51	69,5	27,5	25,0	10	47715	47733 82648
81550	1 1/4"	—	51	69,5	27,5	25,0	10	47715	47733 82648
82662	1 1/2"	—	51	69,5	27,5	25,0	10	47715	47733 82648



Dummy plug and adapter ARAG <i>Blindstopfen und Adapter ARAG</i>									
Article no.			d	D	L				
47713	—	—	47,4	69,5	17,0	—	10	47715	47587 47733 82648
47883	—	—	63,4	70,0	21,0	—	10	41124	47587 47733 82648
47716	—	—	—	69,5	—	—	10	47715	47587 47733 82648



Adapter Banjo									
Article no.	G	d1	d2	d3	L				
82612	2 3/4"	90	50,8	83,0	67,0	—	10	32605	—

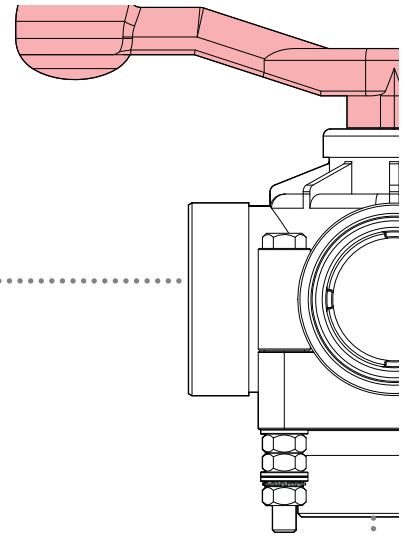
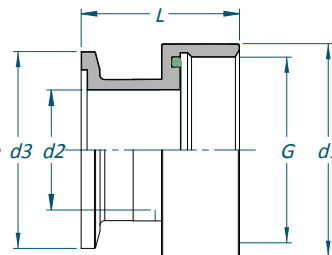
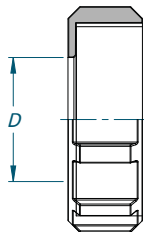
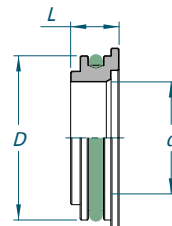
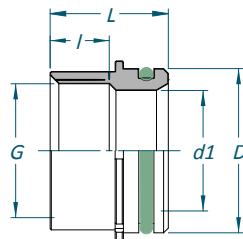
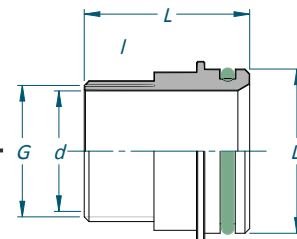
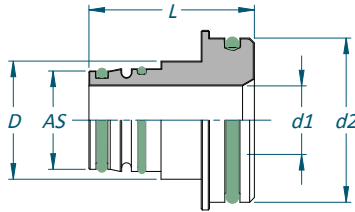
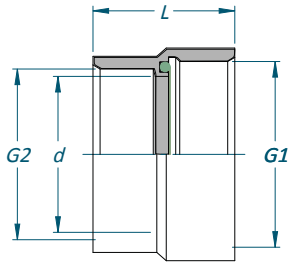
Only fittings with the specification **15bar** can be used with the ball valve **KH2** 15bar.

*Nur Fittings mit der Angabe **15bar** finden Einsatz beim Kugelventil **KH2** 15bar.*

5-way ball valves 5-Wege Kugelventile

KH2 Fittings

PRESSURE
15 bar



Fittings are suitable for all five connections.

Fittings eignen sich für alle fünf Anschlüsse.

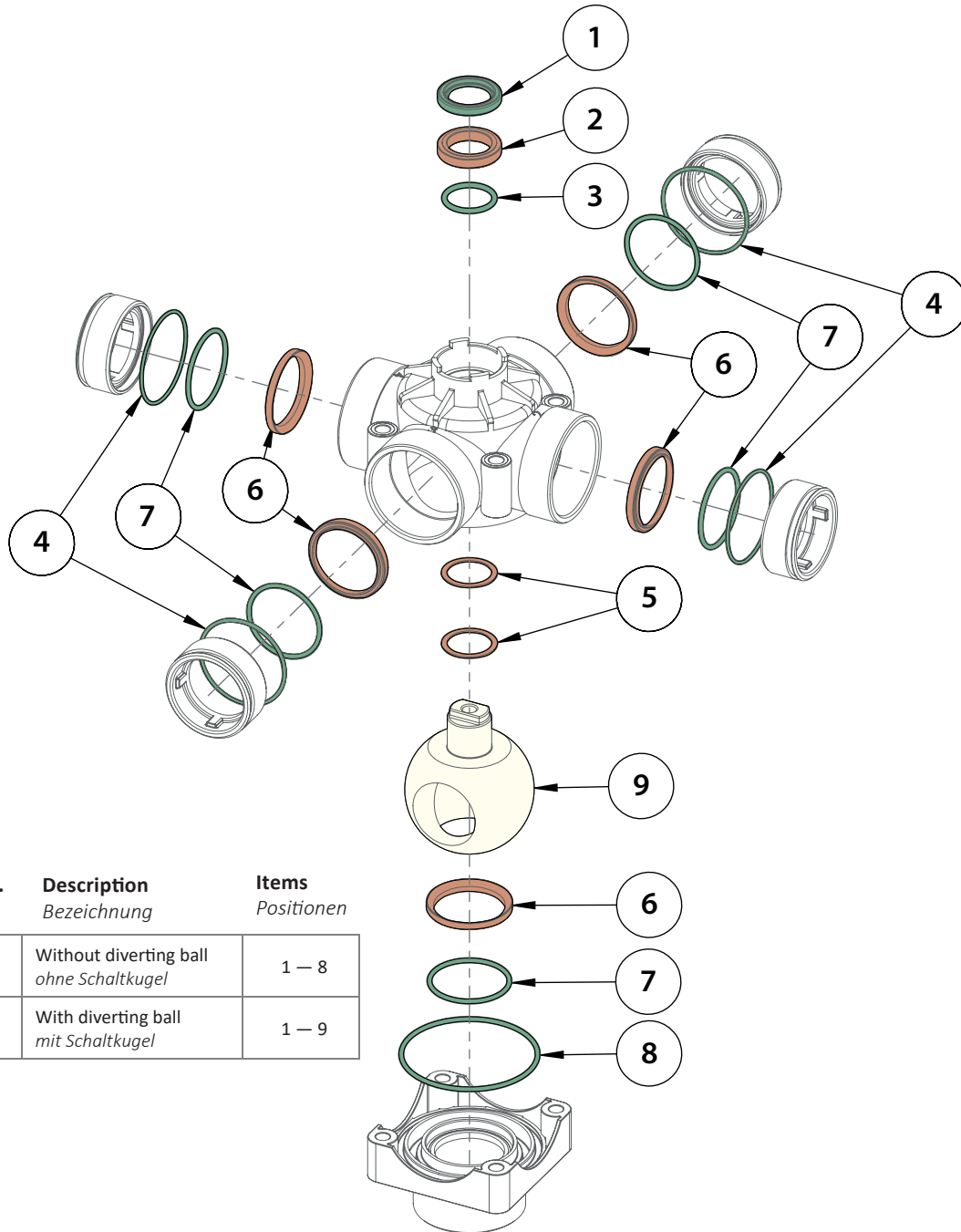


Cap
Überwurfmutter

Artikel-Nr.	Druck bar	D mm
47587	10	52,5
83656	15	52,5
47733	10	68,0
82648	15	68,0

5-way ball valves *5-Wege Kugelventile*

KH2 3bar **Set of seals** *Dichtsätze*



Article no. <i>Artikel-Nr.</i>	Description <i>Bezeichnung</i>	Items <i>Positionen</i>
47923	Without diverting ball <i>ohne Schaltkugel</i>	1 – 8
47924	With diverting ball <i>mit Schaltkugel</i>	1 – 9

5-way ball valves *5-Wege Kugelventile*

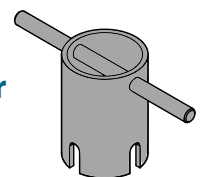
KH2 3bar **Set of seals** *Dichtsätze*

	Article no. <i>Artikel-Nr.</i>	Description <i>Bezeichnung</i>	Dimensions <i>Maße</i>	Material <i>Werkstoff</i>	Amount <i>Menge</i>
①	47668	Rotary shaft seal <i>Radialwellendichtring</i>	32 x 47 x 7 mm	NBR	1
②	81127	Spacer ring KH <i>Distanzring KH</i>	46 x 9 mm	POM GF	1
③	81053	O-Ring	32 x 4,5 mm	FPM-75	1
④	82273	O-Ring	64 x 3 mm	FPM-75	4
⑤	47573	Compensation ring KH <i>Ausgleichsring KH</i>	41 x 1,5 mm	POM GF	2
⑥	47582	Seal ring KH2 <i>Dichtring KH2</i>	62 x 8 mm	PA 12	5
⑦	47680	O-Ring	54 x 4 mm	FPM80	5
⑧	47683	O-Ring	95 x 4 mm	NBR-70	1
⑨	47681	Diverting ball KH2 <i>Schaltkugel 5-Wege KH2</i>	Ø 94 mm	POM + PTFE	1



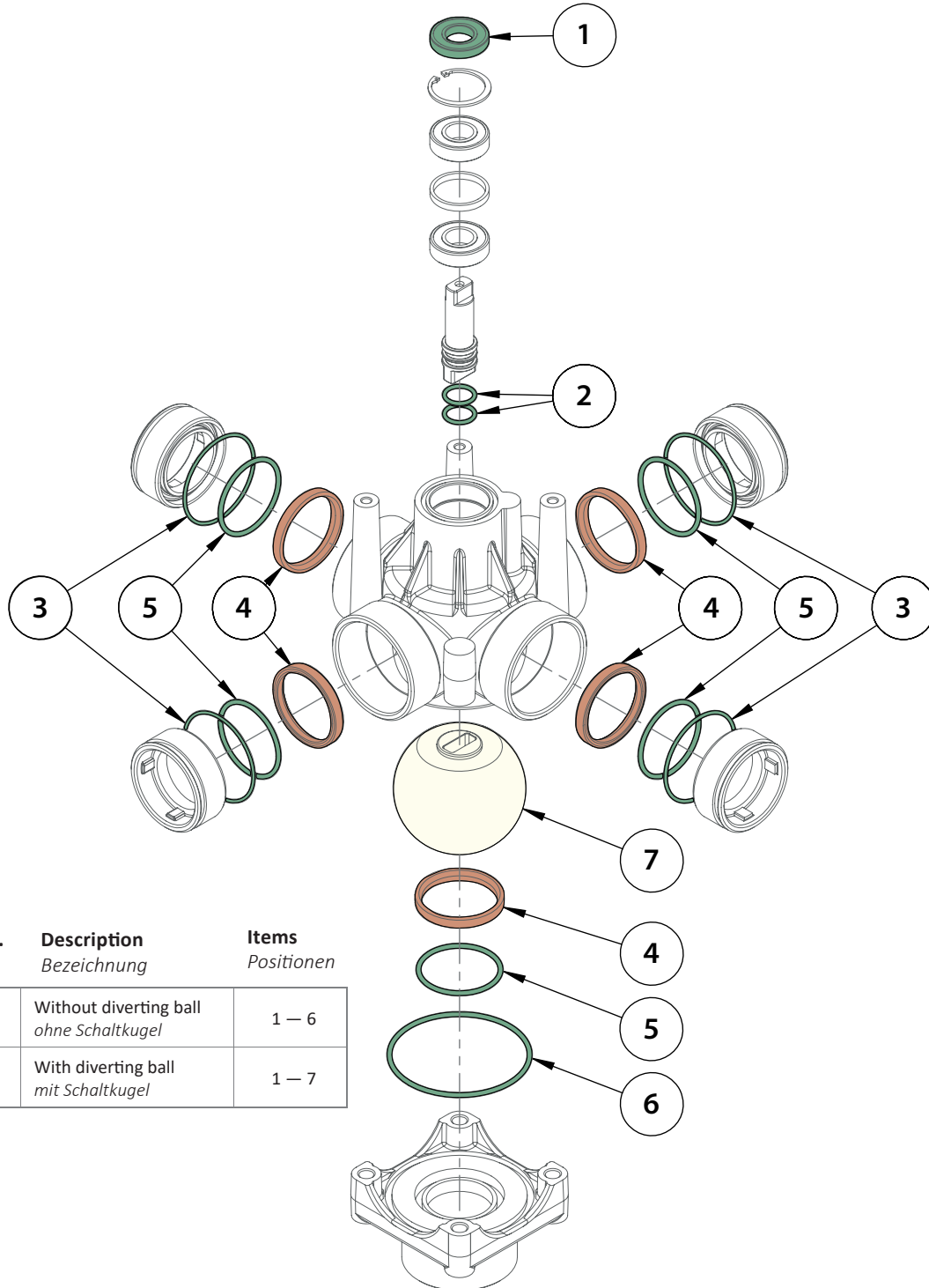
Adjusting spanner
Einstellschlüssel

Article no.	Suitable for
80808	KH2



5-way ball valves *5-Wege Kugelventile*

KH2 15bar Set of seals *Dichtsätze*



Article no. <i>Artikel-Nr.</i>	Description <i>Bezeichnung</i>	Items <i>Positionen</i>
82977	Without diverting ball <i>ohne Schaltkugel</i>	1 – 6
82979	With diverting ball <i>mit Schaltkugel</i>	1 – 7

5-way ball valves *5-Wege Kugelventile***KH2 15bar** **Set of seals** *Dichtsätze*

	Article no. <i>Artikel-Nr.</i>	Description <i>Bezeichnung</i>	Dimensions <i>Maße</i>	Material <i>Werkstoff</i>	Amount <i>Menge</i>
①	82001	Rotary shaft seal <i>Wellendichtring</i>	42 x 20 x 7 mm	FPM	1
②	81490	O-Ring	18 x 3,5 mm	FPM-80	2
③	82273	O-Ring	64 x 3 mm	FPM-75	4
④	82037	Seal ring KH2 15bar <i>Dichtring KH2</i> 15bar	63 x 8,5 mm	PVDF	5
⑤	47680	O-Ring	54 x 4 mm	FPM-80	5
⑥	47683	O-Ring	95 x 4 mm	NBR-70	1
⑦	82674	Diverting ball KH2 15bar <i>Schaltkugel 5-Wege KH2</i> 15bar	Ø 94 mm	POM+PTFE	1

